

### AG544 DERMAL FASTENER GEL

DESIGNED FOR ADHERING PRODUCT REPEATEDLY TO SKIN

#### PRODUCT SPECIFICATION - BULK ROLL HYDROGEL

##### Property / Test Method

Stainless Steel (Skin Side) Adhesion (180° Peel)  
 Top Liner (Tie Side) Adhesion to Gel (90° Peel)  
 Bottom Liner (Skin Side) Adhesion to Gel (90° Peel)  
 Hydrogel Thickness  
 Hydrogel pH  
 Hydrogel Dimensions  
 Top Release Liner  
 Bottom Release Liner  
 Cytotoxicity Test (ISO 10993-5)  
 Irritation Test (ISO 10993-10)  
 Sensitization Test (ISO 10993-10)  
 Shelf Life  
 Core Size

##### Specification

225 g/in (89 g/cm) min<sup>1</sup>  
 120 g/in (47 g/cm) max  
 140 g/in (55 g/cm) max  
 44 +/- 5 mils (1.1 +/- 0.1 mm)  
 3.75 (+/- 0.5)  
 Width - 9" (22.9 cm), Length - 250' (76 m) +/-2%  
 Width - 9.75" (24.8 cm), Thickness - 2 mil (0.05 mm) LDPE  
 Width - 10" (25.4 cm), Thickness - 5 mil (0.13 mm) PET  
 Non-Cytotoxic  
 Non-Irritating  
 Non-Sensitizing  
 Slit - 6 months<sup>2</sup>, Non-slit - 12 Months<sup>2</sup>  
 Slit - 3" (8 cm), Non-slit - 6" (15 cm)

#### TYPICAL PROPERTIES - BULK ROLL HYDROGEL

##### Property / Test Method

Stainless Steel (Skin Side) Adhesion (180° Peel)  
 Top Liner (Tie Side) Adhesion to Gel (90° Peel)  
 Bottom Liner (Skin Side) Adhesion to Gel (90° Peel)  
 Hydrogel Thickness  
 Hydrogel pH  
 Water Activity (a<sub>w</sub>)

##### Typical Properties

300 g/in (118 g/cm)<sup>1</sup>  
 7 g/in (3 g/cm)  
 35 g/in (14 g/cm)  
 44 mils (1.1 mm)  
 3.8  
 0.61

<sup>1</sup> Stainless Steel is not a true measure of skin adhesion. AG544 has good "quick grab" and excellent restick.

<sup>2</sup> Shelf life is for roll goods prior to conversion. Shelf life for finished goods is the responsibility of the converter.

**Note:** Converter assumes responsibility for material compatibility. However, should assistance be required, our professional chemical and engineering staff is available to support your technical needs.

#### STORAGE CONDITIONS

Short-Term Temperature (Less than One Month) 32°F - 104°F (0°C - 40°C)  
 Long-Term and Optimal Temperature 41°F - 80°F (5°C - 27°C)

#### PACKAGING INFORMATION

Box Size 17" x 17" x 12" (43 cm x 43 cm x 30 cm)  
 Box Weight Approx. 69 lbs. (31 kg)  
 Pallet Size Approx. 45" x 45" x 54" (114 cm x 114 cm x 137 cm)  
 Pallet Weight (16 Boxes per Pallet) Approx. 1,134 lbs. (514 kg)

## AG544 DERMAL FASTENER GEL

DESIGNED FOR ADHERING PRODUCT REPEATEDLY TO SKIN

### RECOMMENDED STORAGE CONDITIONS FOR BULK ROLL HYDROGELS

Bulk roll hydrogels should be stored at ambient temperature at specific ranges noted below in Number 3a and 3b. Storage conditions outside these ranges can adversely affect product stability and product performance.

### THE FOLLOWING POINTS SHOULD BE FOLLOWED TO ENSURE ANTICIPATED PRODUCT PERFORMANCE

1. Keep hydrogel out of direct sunlight
2. Store in the original packaging
3. Maintain ambient storage conditions through product expiration
  - a. Short-Term (less than one month) Temperature: 32°F – 104°F (0°C – 40°C)
  - b. Long-Term and Optimal Temperature: 41°F – 80°F (5°C – 27°C)
4. To prevent dry out of hydrogel, liners should be kept on at all times until the gel is used or converted.

### SHELF LIFE

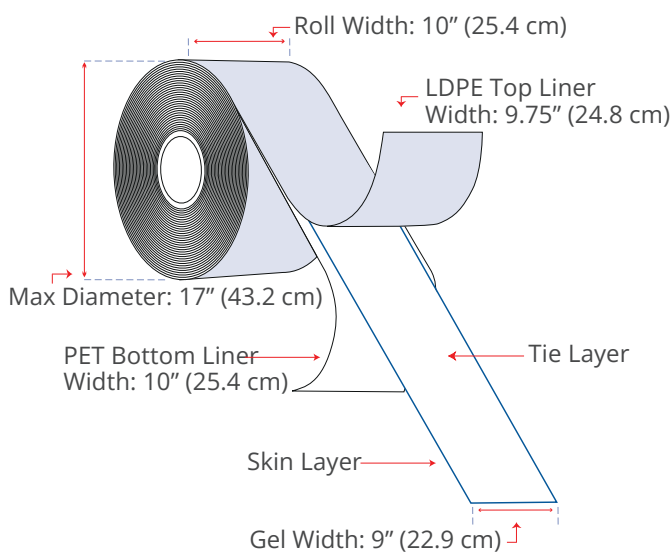
The shelf life of the bulk roll hydrogels is guaranteed only through the shelf life of the unconverted hydrogel. Axelgaard Manufacturing Co., Ltd. has stipulated a 12-month shelf life from the date of manufacture for AG544 non-slit bulk roll hydrogel and a 6-month shelf life from the date of manufacture for all slit bulk roll hydrogels.

**NOTE:** Axelgaard Manufacturing Co., Ltd. recommends compatibility testing of materials in contact with the hydrogel as certain materials may cause incompatibility problems when applied to the hydrogel.

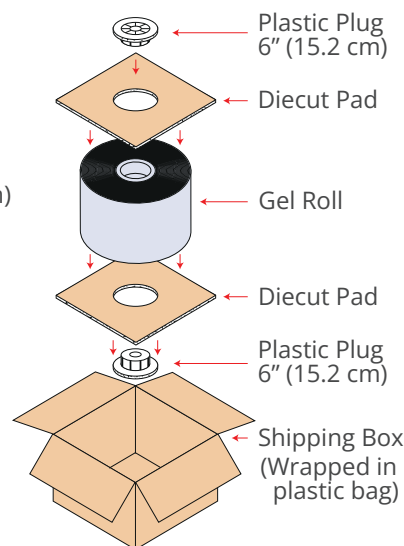
### PACKAGING SPECIFICATION

#### Master Roll Detail

26.25 MSI Units (1 MSI = 1,000 square inches)  
Roll Length: 250' (76 m) +/-2%



#### Bulk Roll Packaging



#### Slit Gel Roll Packaging

